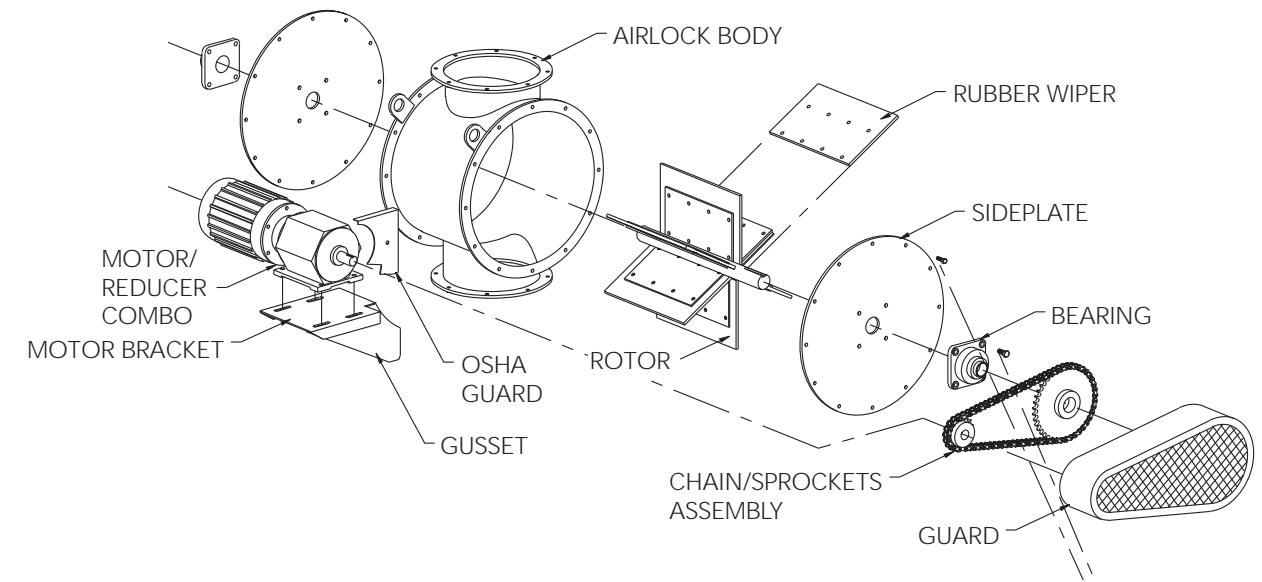
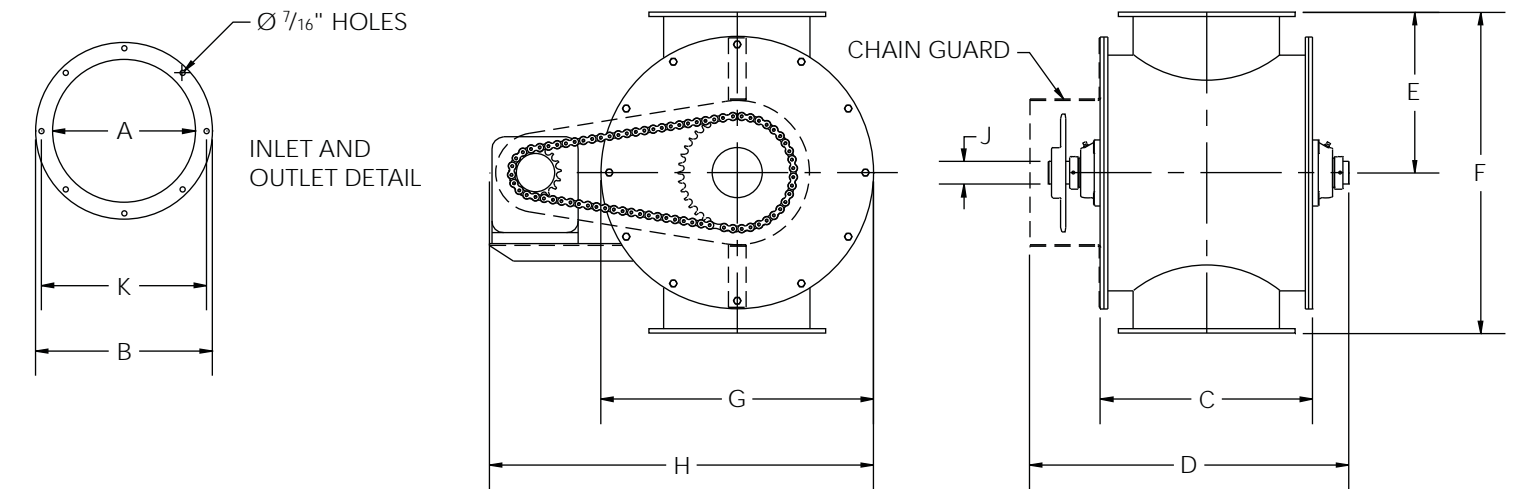


# AIRLOCKS



## Maintenance



## Koger Air Industrial Rotary Airlock Feeders

- Maintains operating air pressure and control of pneumatic material conveying system; most effective in low pressure industrial applications.
- Roller chain and sprocket driven by a parallel shaft reducer with 2 HP, 3-phase, 60 hertz, 230/460 volt motor. Protective chain guard is constructed with an expanded metal front for easy visibility of chain operation.
- C-flange motor mount permits positive drive for more torque and increased efficiency.
- Variable metering speeds
- Four- and six-blade rotors are designed to meter larger foreign objects.
- 10-gauge HR housing formed to precision tolerances with smooth interior surface to assure free flow of materials.
- Heavy-duty rubber wipers are reinforced with steel, durable, spark resistant, easily replaceable. Continually wipes down excess material from internal walls, preventing blockage.
- Round inlet and outlet flanges are pre-drilled with  $\frac{7}{16}$ " bolt holes for quick and easy installation. Available with matching flanges.
- Easy service access to rotor through removable sideplates.
- Performance fully guaranteed for one year.

## Standard Chain Driven Airlock Feeders

A = Size	B	C	D	E	F	G	H	J	K		Motor HP	Voltage	No. of Vanes	RPM	Cubic Ft. /Rev.	WT
									Bolt Hole Ctr.	# Holes						
8"	10 <sup>1</sup> / <sub>8</sub> "	14	23 <sup>1</sup> / <sub>8</sub> "	13 <sup>5</sup> / <sub>8</sub> "	27 <sup>1</sup> / <sub>4</sub> "	23	33 <sup>1</sup> / <sub>4</sub> "	1 <sup>15</sup> / <sub>16</sub> "	9 <sup>15</sup> / <sub>16</sub> "	6	2	230/460	4	28	1.85*	400 lb.
10"	13 <sup>1</sup> / <sub>8</sub> "	14"	23 <sup>1</sup> / <sub>8</sub> "	13 <sup>5</sup> / <sub>8</sub> "	27 <sup>1</sup> / <sub>4</sub> "	23"	33 <sup>1</sup> / <sub>4</sub> "	1 <sup>15</sup> / <sub>16</sub> "	11 <sup>13</sup> / <sub>16</sub> "	6	2	230/460	4	28	1.85*	400 lb.
12"	15 <sup>1</sup> / <sub>8</sub> "	16"	24 <sup>3</sup> / <sub>8</sub> "	13 <sup>5</sup> / <sub>8</sub> "	27 <sup>1</sup> / <sub>4</sub> "	23"	33 <sup>1</sup> / <sub>4</sub> "	1 <sup>15</sup> / <sub>16</sub> "	14"	8	2	230/460	4	28	2.75*	410 lb.
14"	17 <sup>1</sup> / <sub>8</sub> "	18"	26 <sup>7</sup> / <sub>8</sub> "	13 <sup>5</sup> / <sub>8</sub> "	27 <sup>1</sup> / <sub>4</sub> "	23"	33 <sup>1</sup> / <sub>4</sub> "	1 <sup>15</sup> / <sub>16</sub> "	16"	8	2	230/460	6	28	3.00*	470 lb.
16"	19 <sup>1</sup> / <sub>8</sub> "	21 <sup>1</sup> / <sub>2</sub> "	30 <sup>3</sup> / <sub>4</sub> "	16 <sup>5</sup> / <sub>8</sub> "	33 <sup>1</sup> / <sub>4</sub> "	30"	41 <sup>1</sup> / <sub>4</sub> "	2 <sup>7</sup> / <sub>16</sub> "	18"	8	2	230/460	6	21	4.51*	690 lb.
20"	24 <sup>1</sup> / <sub>8</sub> "	24"	33 <sup>1</sup> / <sub>4</sub> "	18 <sup>5</sup> / <sub>8</sub> "	37 <sup>1</sup> / <sub>4</sub> "	34"	45 <sup>1</sup> / <sub>2</sub> "	2 <sup>7</sup> / <sub>16</sub> "	21 <sup>3</sup> / <sub>4</sub> "	12	2	230/460	6	16	8.50*	950 lb.
24"	28 <sup>1</sup> / <sub>8</sub> "	30"	40 <sup>5</sup> / <sub>8</sub> "	21 <sup>5</sup> / <sub>8</sub> "	43 <sup>1</sup> / <sub>4</sub> "	40"	51 <sup>3</sup> / <sub>4</sub> "	2 <sup>7</sup> / <sub>16</sub> "	25 <sup>7</sup> / <sub>8</sub> "	12	2	230/460	6	16	15.00*	1325 lb.
30"	34 <sup>1</sup> / <sub>8</sub> "	36"	48 <sup>3</sup> / <sub>8</sub> "	31 <sup>1</sup> / <sub>2</sub> "	63	59	73 <sup>1</sup> / <sub>2</sub> "	2 <sup>15</sup> / <sub>16</sub> "	32 <sup>3</sup> / <sub>8</sub> "	16	5	230/460	6	15	44.50*	2030 lb.

Standard 10" to 24" airlocks are normally shipped same day. Certified drawings with specific construction dimensions are available upon request.

\* Volumetric displacement is 100% as listed. Capacity selection is from 40% to 60%.

### Custom Options:

- Size
- Materials, including Stainless and Abrasion Resistant Steel
- Square inlet and outlet flanges
- Special paint and color